

# PASSIVE IN-WALL SUBWOOFER & MOUNTING BRACKET

---



## **Part Number**

- *SUM*
- *SAMB*

*Installation Instruction*



## Important Safety Instructions

Carefully read all installation instructions prior to installing the SUM Subwoofer. If you do not understand these instructions or have any questions please consult a qualified electrician or the M&S Technical Support team at 1-800-421-1587 prior to installation.

### **WARNING**

1. Do not install speakers in return air ducts.
2. Do not install speakers in outside walls.
3. Do not install speakers in stud cavities with other 120/240V appliances.
4. Do not install speakers within 18" of dimmers, fluorescent light fixtures, security wiring and other control wiring.

## Introduction

M&S SUM Subwoofer is designed to maximize the sound quality of any home theater or whole-house sound system while remaining unobtrusively in the background.

### Specification Table

---

<b>Impedance:</b>	8 Ohm
<b>Specifications:</b>	8" Dual Voice Coil Woofer
<b>Frequency Response:</b>	35Hz/120Hz
<b>Power Rating:</b>	<b>150 Watts Maximum</b>
<b>Height:</b>	12 5/8"
<b>Width:</b>	8 3/8"
<b>Depth:</b>	3"
<b>Weight:</b>	33.5 lbs

## Tools Required

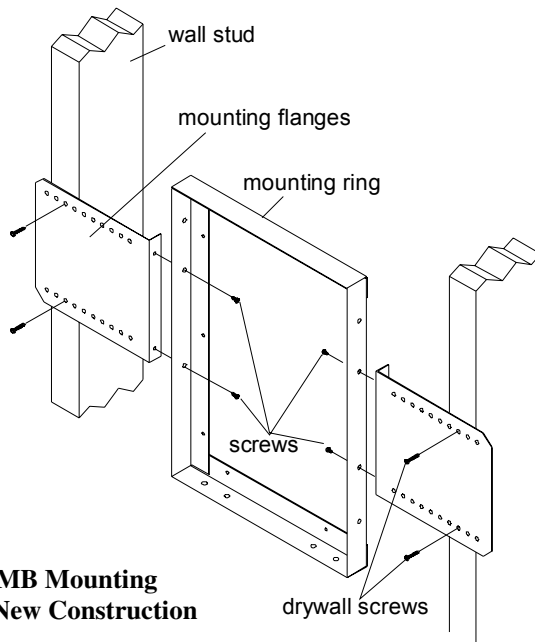
Phillips Screwdriver, Wire Cutters/Strippers, Drywall Saw and Measuring Tape

## Installation Instructions

Determine speaker location and mark your plans for future reference.

### NEW CONSTRUCTION

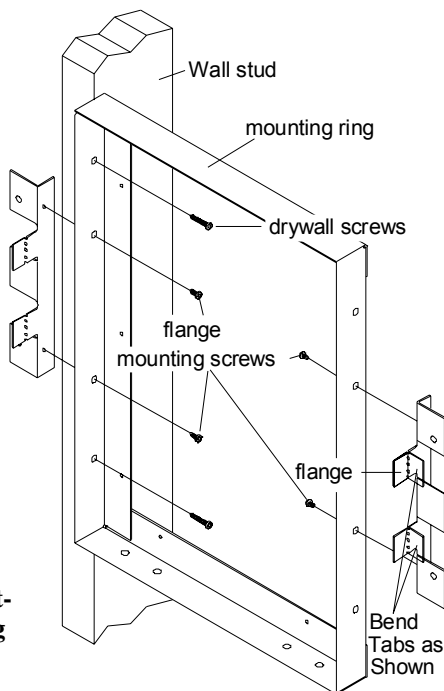
**STEP 1** After determining the location of the speaker, attach the mounting flanges to the mounting ring as shown in Figure 1. Position the mounting ring-flange assembly to the wall stud as shown. Attach the mounting ring-flange assembly to the studs using drywall screws or nails. Once the mounting ring is secured to the wall, the edges of the mounting bracket will extend from the studs by approximately  $3/8$ ". This will allow for drywall construction later.



**Figure 1– SAMB Mounting Bracket For New Construction**

## EXISTING CONSTRUCTION

**STEP 1** After you have determined the location of the speaker, attach the mounting flanges to the mounting ring as shown in Figure 2. Install the mounting ring in the wall and position it so that the extending flanges are behind the drywall material. Bend the front flanges over the dry wall as shown in Figure 2.

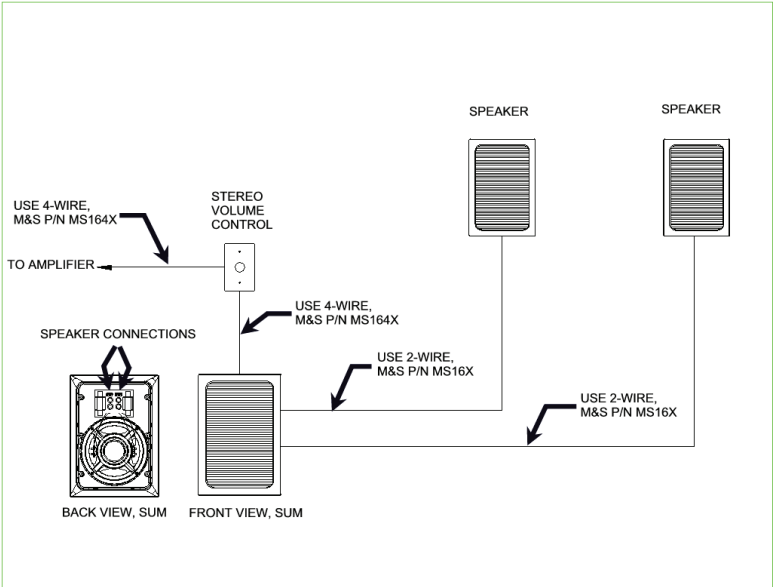


**Figure 2 - SAMB Mounting Bracket For Existing Construction**

**STEP 2** Run a 16 gauge 4-conductor cable, such as MS164X, from the volume control to the SUM. Then run one 2-conductor cable such as MS16X, to each left and right channel speaker. (See Figure 3.) A 16 gauge 4-conductor cable should also be run from the volume control to the system amplifier. Be sure that you secure the wire (DO NOT USE STAPLES) and leave enough wire for the speaker connections. Connect the wires to the SUM and speakers.

**Note:** Make sure the right speaker is connected to the right channel on the SUM and the left speaker is connected to the left channel. Also, make sure the red wire is connected to the positive terminals on the speaker and the SUM and the black wire is connected to the negative terminals.

**STEP 3** Mount the speaker to the mounting ring with the screws provided with the speaker. Install the metal grill insert.



**Figure 3-Typical SUM Installation**



## Service and Troubleshooting

M&S Systems is committed to producing high quality products for the home. If you have any questions or problems with your SUM Subwoofer or if it is not operating properly, contact your installer or call M&S Systems at 1-800-421-1587 and speak with one of our technical support specialists.

You may also visit our web site at [www.mssystem.com](http://www.mssystem.com) for a frequently asked questions list that may provide you with quick assistance with any troubleshooting or service concerns.

# Warranty

## M&S SYSTEMS Limited 2-Year No-Fault Product Warranty

M&S SYSTEMS warrants for 2 years all products to be free of defects (M&S SYSTEMS honors the 10-Year No-Fault warranty for AirVac Gold power units). The warranty period begins from either (1) the date of “first user” purchase of this product or (2) the first close of escrow date on a residence in which this new product was originally installed. This warranty extends to the original user of the product and to each subsequent owner of the product during the term of this warranty. M&S SYSTEMS will repair or replace, at its option, parts and materials at no charge. Parts supplied under this warranty may be new or rebuilt at the option of M&S SYSTEMS.

If, during the limited warranty period, it appears as though this product contains a defect, which is covered by this limited warranty, call our toll free service number before dismantling the product (1-800-421-1587). Remember to attain a Return Authorization Number (RAN) before returning any product to M&S SYSTEMS. Send the product freight pre-paid and insured to our service center for warranty repair. You will be advised on shipping instructions when you call the toll free service number. M&S Systems will return the repaired product freight pre-paid within the U.S.A. The installing dealer or distributor may assist you, at your choice and expense, with returning product for repair. Please include a brief description of the problem and a dated proof-of-purchase receipt with any product that is returned for warranty repair. ANY PRODUCT RETURNED WITHOUT A RETURN AUTHORIZATION NUMBER WILL BE REFUSED.

THIS LIMITED WARRANTY IS IN LIEU OF ANY OTHER WARRANTIES, EXPRESS OR IMPLIED, INCLUDING ANY IMPLIED WARRANTY OF MERCHANTABILITY OR FITNESS FOR A PARTICULAR PURPOSE OR OTHERWISE, AND OF ANY OTHER OBLIGATIONS OR LIABILITY ON THE SELLER'S PART. THIS LIMITED WARRANTY DOES NOT COVER DAMAGE CAUSED BY IMPROPER INSTALLATION, THE VIOLATION OF APPLICABLE BUILDING OR ELECTRICAL CODES OR THE USE OF NON-M&S/ NON-AIRVAC WIRE (EXCLUDING STRUCTURED WIRE PACKAGES), CABLE (EXCLUDING STRUCTURED WIRE PACKAGES) OR WALL HOUSINGS. THIS LIMITED WARRANTY APPLIES ONLY TO PRODUCTS INSTALLED IN A PRIVATE RESIDENCE.

UNDER NO CIRCUMSTANCES SHALL THE SELLER BE LIABLE FOR CONSEQUENTIAL, INCIDENTAL OR SPECIAL DAMAGES ARISING IN CONNECTION WITH USE OR INABILITY TO USE THIS PRODUCT. IN NO EVENT SHALL SELLER'S LIABILITY, FOR BREACH OF WARRANTY, BREACH OF CONTRACT, NEGLIGENCE OR STRICT LIABILITY, EXCEED THE COST OF THE PRODUCT COVERED HEREBY. NO PERSON IS AUTHORIZED TO ASSUME FOR US ANY OTHER LIABILITY IN CONNECTION WITH THE SALE OF THIS PRODUCT.

Some states do not allow the exclusion or limitation of consequential, incidental or special damages, so the above limitation or exclusion may not apply to you. This limited warranty gives you specific legal rights, and you may also have other rights, which vary from state to state.

**M&S SYSTEMS™**

Phone: 800-421-1587

[www.mssystem.com](http://www.mssystem.com)

115958 B