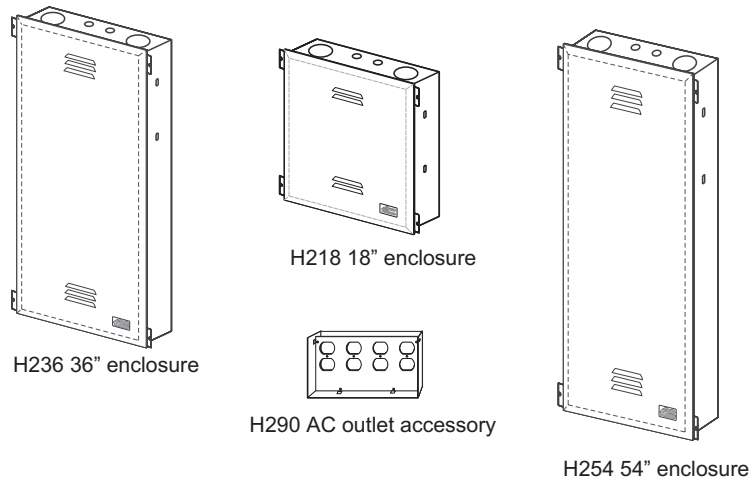
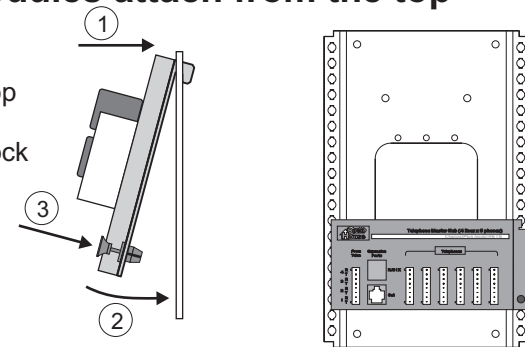


ChannelPlus Enclosures



OpenHouse modules attach from the top

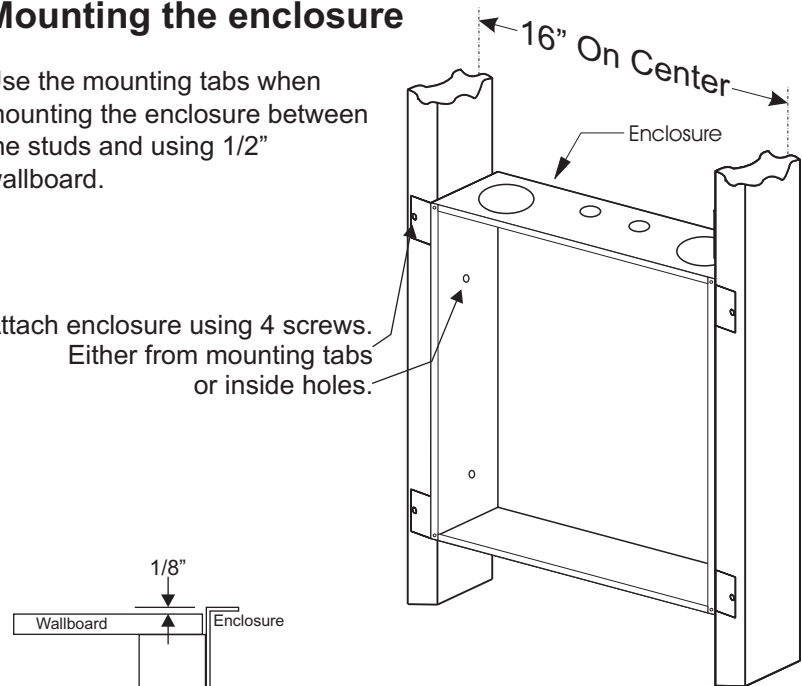
- 1) Hook from the top
- 2) Swing into place
- 3) push button to lock



Mounting the enclosure

Use the mounting tabs when mounting the enclosure between the studs and using 1/2" wallboard.

Attach enclosure using 4 screws. Either from mounting tabs or inside holes.

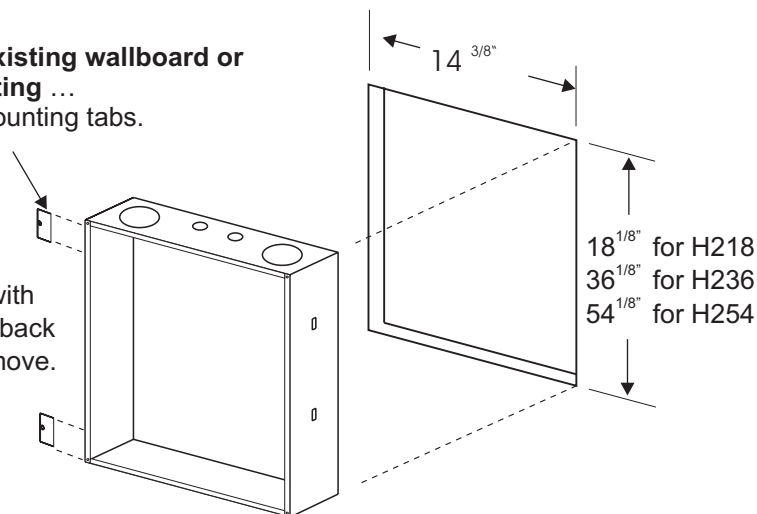


When using other than 1/2" wallboard, remove the mounting tabs and mount the enclosure to protrude 1/8" beyond the wallboard surface.

Mounting in existing wallboard or surface mounting ...

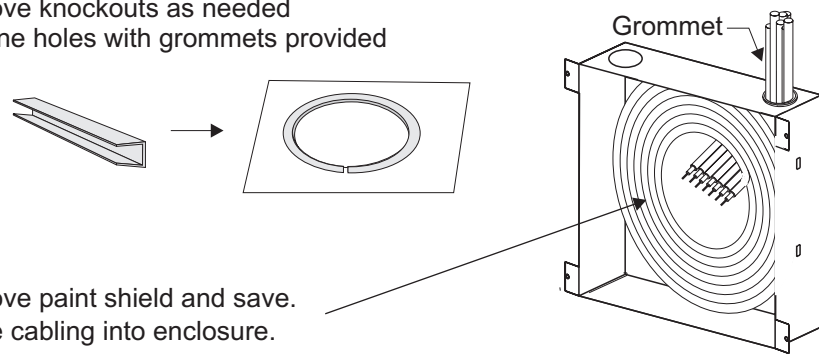
Remove the mounting tabs.

Grab the tabs with pliers and rock back and forth to remove.



Installing cables

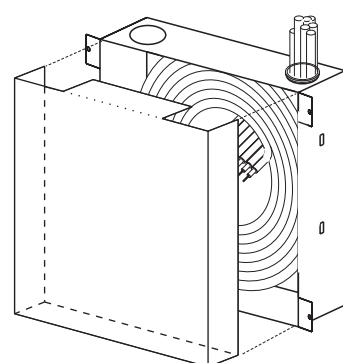
Remove knockouts as needed and line holes with grommets provided



Remove paint shield and save. Route cabling into enclosure.

After cabling is routed, reverse paint shield and return it to the enclosure to protect cabling.

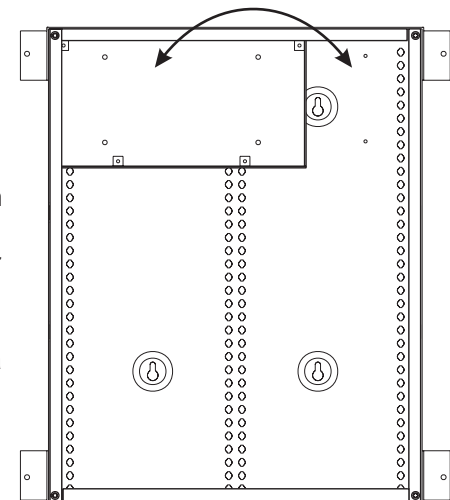
If H290 is installed, fold flaps on the paint shield to bend the shield over the H290 AC outlet accessory.



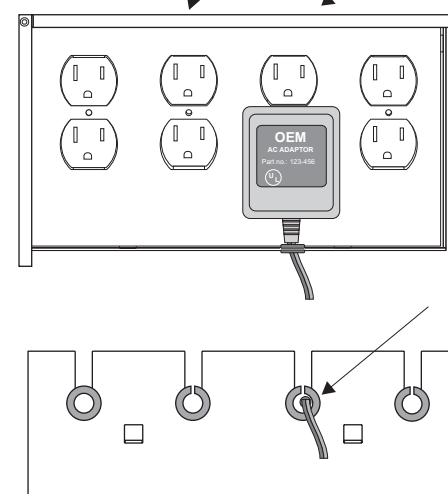
Mounting the H290 AC outlet accessory

H290 installs in either of 2 locations

The H290 accessory brings AC power inside the H218, H236 or H254 enclosure. The H290 gives the installer a clean, UL approved location to mount power adaptors. Mount the H290 to either the upper right or upper left corner of the enclosure using the four #6 screws provided. Installation of AC outlets should be done only by a qualified electrician.



1/2" knockouts for 120VAC

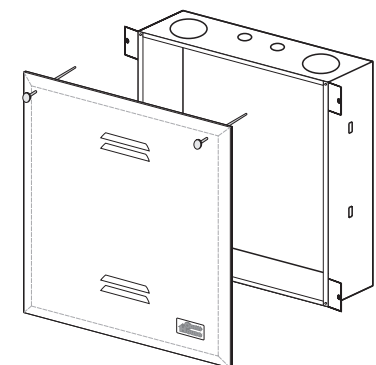


The H290 provides space for 4 standard duplex receptacles. Wires should exit the H290 using the grommets provided. The grommets may be cut as shown.

Installing the cover

An old electrician's trick ...

When hanging a heavy cabinet cover, insert nails through the mounting holes on the cover. Guide the nails into the mating holes on the enclosure and let the cover hang from the nails while you attach the screws. (We've included two of these sophisticated devices for your assistance.)



Grounding the cabinet

When used with model H290 accessory, the grounding lug on the H290 is used. No separate ground lug is provided on the H218, H236 or H254. The user must install ground lugs as necessary.

Good ...
 Typical room - phone, TV
 Media center - phone, satellite receiver, AV modulators
 Home office - phone, TV, cable modem
 Better ...
 Typical room - phone, TV, ethernet
 Media center - phone, TV, ethernet, satellite receiver, AV modulators
 Home office - phone, TV, ethernet, satellite receiver, AV modulators
 Best ...
 Typical room - phone, TV, ethernet, satellite receiver
 Media center - phone, TV, ethernet, satellite receiver, AV modulators, hi-speed data
 Home office - phone, TV, ethernet, satellite receiver, cable modem, hi-speed data

	Good	Better	Best
Typical Room	1 Cat-5 1 RG-6	2 Cat-5 1 RG-6	2 Cat-5 2 RG-6
Media Center	1 Cat-5 3 RG-6	2 Cat-5 3 RG-6	3 Cat-5 3 RG-6
Home Office	1 Cat-5 2 RG-6	2 Cat-5 2 RG-6	3 Cat-5 3 RG-6

Wiring a house for OpenHouse
 The cables in an OpenHouse run from the various rooms of the house directly to the service center location. (This is known as 'home run' wiring.) Two types of wire are used for communication and entertainment: Cat-5, 4-UTP (4 Unshielded Twisted Pairs) wire handles data or 1 to 4 telephone lines. RG-6 coax handles television (antenna or cable), satellite dish, cable modem, or AV modulator signals. (An AV modulator creates new TV channels for front door camera, DVD player, a VCR or a satellite receiver.) We recommend the following pre-wire schemes. Run these wires from the service center to the rooms indicated.

Service Center Enclosures
 Models H218, H236, H254, H290



3001 Enterprise Street, Brea, CA 92821-6213, U.S.A.
 714-996-4100 * 800-999-5225 * FAX 714-996-4900 * www.channelplus.com

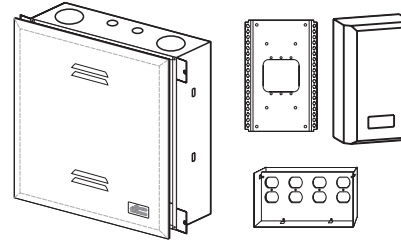
Warranty

Multiplex Technology, Inc. warrants this product to be free from defects in materials and workmanship for a period of one year from the date of purchase or MTI will repair, or at its option, replace the defective product. To obtain warranty service, call MTI for a return material authorization (RMA) number and return the product prepaid to Multiplex Technology, Inc., 3001 Enterprise Street, Brea, CA 92821, Attention: Customer Service. Please put the RMA number on the outside of the carton.

Any implied warranty arising from the sale of the product including implied warranties of merchantability and fitness for purpose are limited to the warranty stated above. MTI shall not be responsible for losses or damages or expenses, whether direct, consequential or incidental arising from the use of or the inability to use this product. Some states do not allow limitations on how long the implied warranty lasts or the exclusion or limitation or incidental or consequential damages, so the above limitations and exclusions may not apply to you. This warranty gives you specific legal rights, and you may have other rights which may vary from state to state.



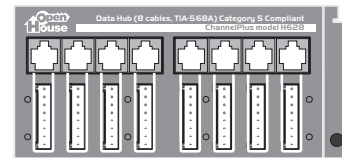
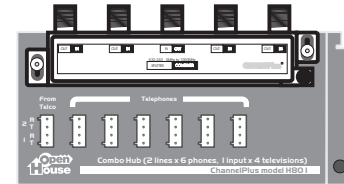
ChannelPlus Enclosures, Modules, Accessories & Wall Plates



Service center enclosures
 A full line of OpenHouse compatible enclosures, from simple, inexpensive mounting plates to high capacity in-wall cabinets. AC outlets can be mounted inside the cabinets using a UL listed accessory.

Starter systems

RF splitters and telephone punch downs. When it is time to upgrade, just snap this module out and replace with one of more of the more sophisticated units.

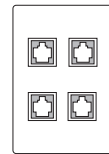
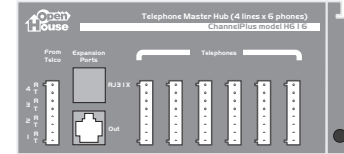


Data hubs

Termination blocks for the CAT-5 cables, Ethernet hubs. Bring the Internet to any room in the home. Or create a home data network.

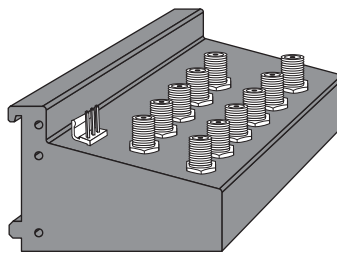
Telephone hubs

Connections for 1-4 phone lines to every room. Starter hub adds RJ-31X jack for security system dialer.



Wall plates

Wall plate systems for all rooms. The typical room gets TV and telephone. The Home office wall plate adds data ports. The media center wall plate adds satellite feeds.

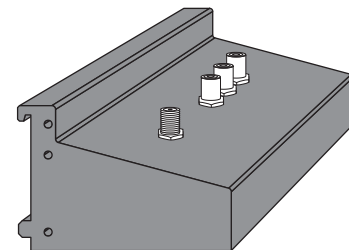


Coax panels

Distribute antenna or cable TV to every room of the house. Some models include bi-directional amplifiers for interactive cable systems. Some models include modulator inputs and IR engines.

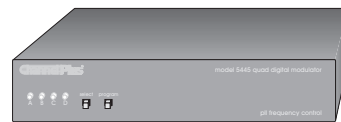
AV modulators (for service center)

Create a new TV channel for a front door camera. Some models feature Cat-5 input connections.



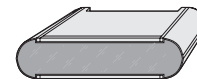
AV modulators (for media center)

Create new TV channels for DVD, VCR, or a satellite receiver. These modulators sit in the media center. Some offer true MTS stereo.



IR Accessories

Control video devices from any room.



New ChannelPlus products are added all the time. Visit our website to learn more: www.channelplus.com