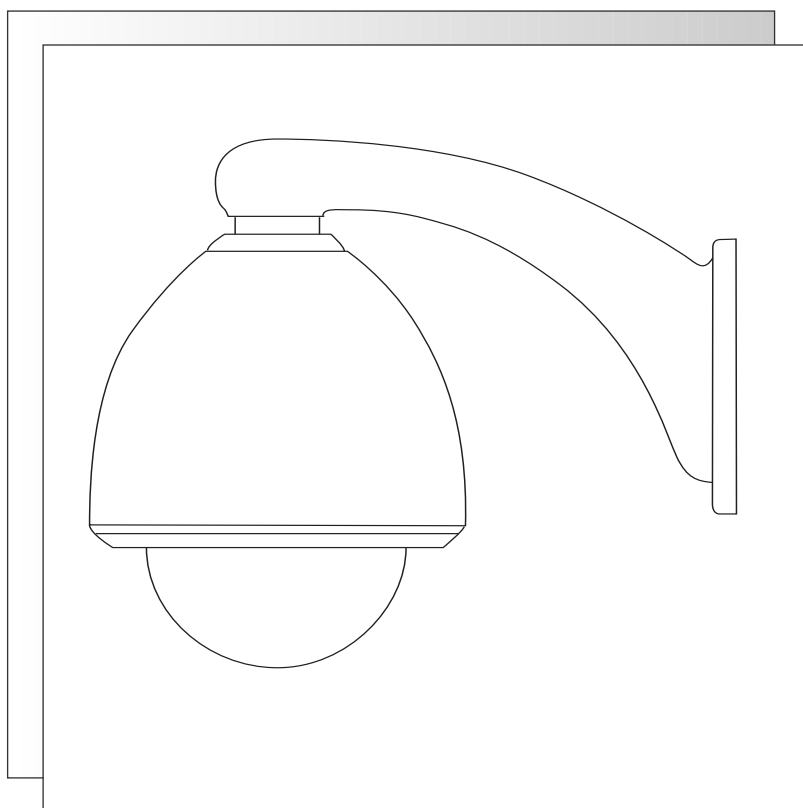


OUTDOOR PENDANT WALL MOUNT



IND6 SERIES

Important Safeguards

1. **Read, Follow, and Retain Instructions** - All safety and operating instructions should be read and followed before operating the unit. Retain instructions for future reference.
2. **Heed Warnings** - Adhere to all warnings on the unit and in the operating instructions.
3. **Attachments** - Attachments not recommended by the product manufacturer should not be used, as they may cause hazards.
4. **Installation Cautions** - Do not place this unit on an unstable stand, tripod, bracket, or mount. The unit may fall, causing serious injury to a person and serious damage to the unit. Use only manufacturer-recommended accessories, or those sold with the product. Mount the unit per the manufacturer's instructions. Appliance and cart combination should be moved with care. Quick stops, excessive force, or uneven surfaces may cause the appliance and cart combination to overturn.
5. **Cleaning** - Unplug the unit from the outlet before cleaning. Follow any instructions provided with the unit. Generally, using a damp cloth for cleaning is sufficient. Do not use liquid cleaners or aerosol cleaners.
6. **Servicing** - Do not attempt to service this unit yourself. Opening or removing covers may expose you to dangerous voltage or other hazards. Refer all servicing to qualified service personnel.
7. **Damage Requiring Service** - Unplug the unit from the main AC power source and refer servicing to qualified service personnel under the following conditions:
 - When the power supply cord or plug is damaged.
 - If liquid has been spilled or an object has fallen into the unit.
 - If the unit has been exposed to water and/or inclement weather (rain, snow, etc.).
 - If the unit does not operate normally, when following the operating instructions. Adjust only those controls specified in the operating instructions. Improper adjustment of other controls may result in damage, and require extensive work by a qualified technician to restore the unit to normal operation.
 - If the unit has been dropped or the cabinet damaged.
 - If the unit exhibits a distinct change in performance, this indicates that service is needed.
8. **Replacement Parts** - When replacement parts are required, the service technician should use replacement parts specified by the manufacturer or that have the same characteristics as the original part. Unauthorized substitutions may result in fire, electrical shock or other hazards.
9. **Safety Check** - Upon completion of servicing or repairs to the unit, ask the service technician to perform safety checks to ensure proper operating condition.
10. **Power Sources** - Operate the unit only from the type of power source indicated on the label. If unsure of the type of power supply to use, contact your dealer or local power company.
 - For units intended to operate from battery power, refer to the operating instructions.
 - For units intended to operate **with External Power Supplies**, use only the recommended approved power supplies.
 - For units intended to operate with a limited power source, this power source must comply with EN60950. Substitutions may damage the unit or cause fire or shock.
 - For units intended to operate at 24VAC, normal input voltage is **24VAC**. Voltage applied to the unit's power input should not exceed 30VAC. User-supplied wiring, from the 24VAC supply to unit, must be in compliance with electrical codes (Class 2 power levels). Do not ground the 24VAC supply at the terminals or at the unit's power supply terminals.
11. **Coax Grounding** - If an outside cable system is connected to the unit, ensure that the cable system is grounded. U.S.A. models only - Section 810 of the National Electrical Code, ANSI/NFPA No.70, provides information regarding proper grounding of the mount and supporting structure, grounding of the coax to a discharge unit, size of grounding conductors, location of discharge unit, connection to grounding electrodes, and requirements for the grounding electrode.
12. **Grounding or Polarization** - This unit may be equipped with a polarized alternating current line plug (a plug with one blade wider than the other). This safety feature allows the plug to fit into the power outlet in only one way. If unable to insert the plug fully into the outlet, try reversing the plug. If the plug still fails to fit, contact an electrician to arrange replacement of the obsolete outlet. Do not defeat the safety purpose of the polarized plug. Alternately, this unit may be equipped with a 3-wire grounding plug (a plug with a third pin, for grounding). This safety feature allows the plug to fit into a grounding power outlet only. If unable to insert the plug into the outlet, contact an electrician to arrange replacement of the obsolete outlet. Do not defeat the safety purpose of the grounding plug.
13. **Lightning** - For added protection during a lightning storm, or when this unit is left unattended and unused for long periods of time, unplug the unit from the wall outlet and disconnect the cable system. This will prevent damage to the unit due to lightning and power line surges

SAFETY PRECAUTIONS

	CAUTION RISK OF ELECTRIC SHOCK. DO NOT OPEN!	
CAUTION: TO REDUCE THE RISK OF ELECTRICAL SHOCK, DO NOT OPEN COVERS. NO USER SERVICEABLE PARTS INSIDE. REFER SERVICING TO QUALIFIED SERVICE PERSONNEL.		

This label may appear on the bottom of the unit due to space limitations.



The lightning flash with an arrowhead symbol within an equilateral triangle is intended to alert the user to the presence of uninsulated "dangerous voltage" within the product's enclosure that may be of sufficient magnitude to constitute a risk of electric shock to persons.



The exclamation point within an equilateral triangle is intended to alert the user to presence of important operating and maintenance (servicing) instructions in the literature accompanying the appliance.

WARNING: TO PREVENT FIRE OR SHOCK HAZARD, DO NOT EXPOSE UNITS TO RAIN OR MOISTURE.



Attention: Installation should be performed by qualified service personnel only in accordance with the National Electrical Code or applicable local codes.

24 VAC Units: Do Not Exceed 30 VAC Input. Voltage applied to the unit's power input should not exceed 30 VAC. Normal input voltage is 24 VAC. User supplied wiring from 24 VAC supply to unit must be in compliance with electrical codes (Class 2 power levels). Do not ground 24 VAC supply at power supply terminals or at unit's power supply terminals.

1 UNPACKING

This electronic equipment should be unpacked and handled carefully.

If an item appears to have been damaged in shipment, replace it properly in its carton and notify the shipper. If any items are missing, notify Aigis Mechtronics. The shipping carton is the safest container in which the unit may be transported. Save it for possible future use.

2 SERVICE

If the unit ever needs repair service, the customer should contact Aigis Mechtronics for return authorization and shipping instructions.

3 CARE AND MAINTENANCE

There are no moving parts in this unit. Regularly scheduled maintenance will help prolong the operational life of this unit. Clean the viewing window as needed with a mild, nonabrasive detergent in water and a soft cloth.

4 DESCRIPTION

The IND6 Series of environmental housings are attractive aluminum housings and sunshield with a polycarbonate dome bubble designed for outdoor installations.

5 INSTALLATION

This installation should be made by a qualified service person and conform to all local codes.

Do Not Exceed 30VAC Input on 24VAC models.
Operation above 30VAC violates low voltage operation (Class 2 Specifications). Normal operation is 24VAC.

5.1 Mounting

Refer to **Figure 1A**.

1. Using the Wall Mount base as a template, mark the mounting hole locations on the mounting surface. The unit is intended to be mounted with four screws and anchors or threaded inserts (not supplied) through the four holes in the base casting of the mount. The wall should be able to bear four (4) times of the weight of the complete dome unit. Pre-drill the holes as marked.

Refer to **Figure 1B**

2. Drill a fifth hole in the center of the 4 base mount holes. Use this hole for the wiring cables and power connections. Pull all wires and cables from the wall through this hole.

Refer to **Figure 1C**

3. Install the appropriate anchors or threaded inserts at the locations marked in step 1.

4. Connecting Low Voltage Power

The wiring harness has a BNC connector to accept video coax and two stripped leads to accept the low voltage power.

Connect the line and neutral wires from the wall to the line and neutral wires from the dome.

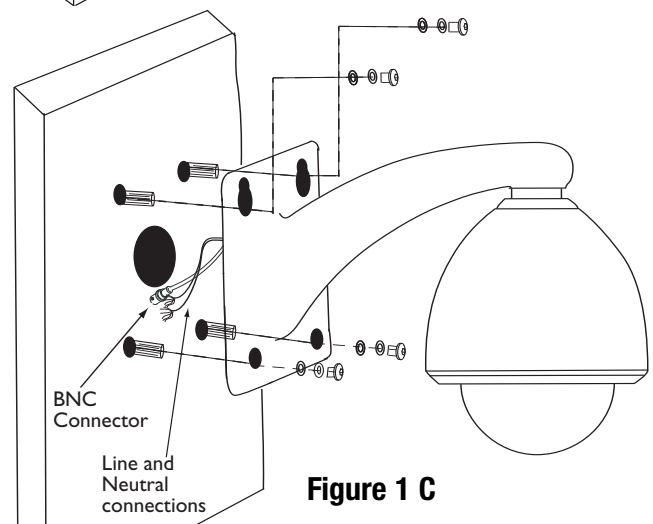
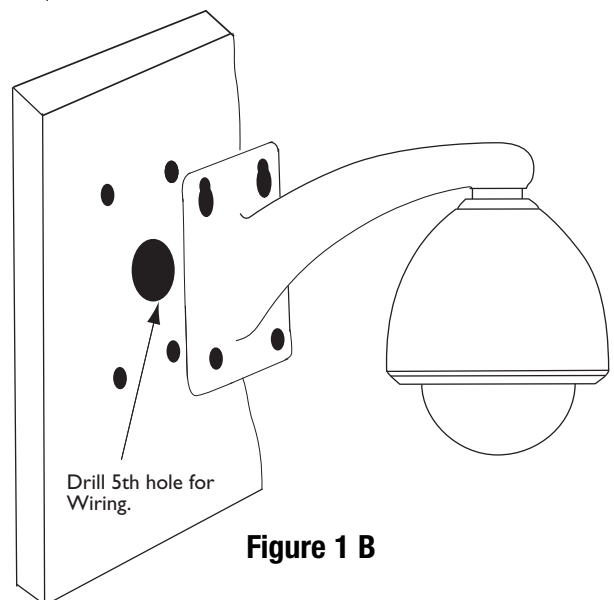
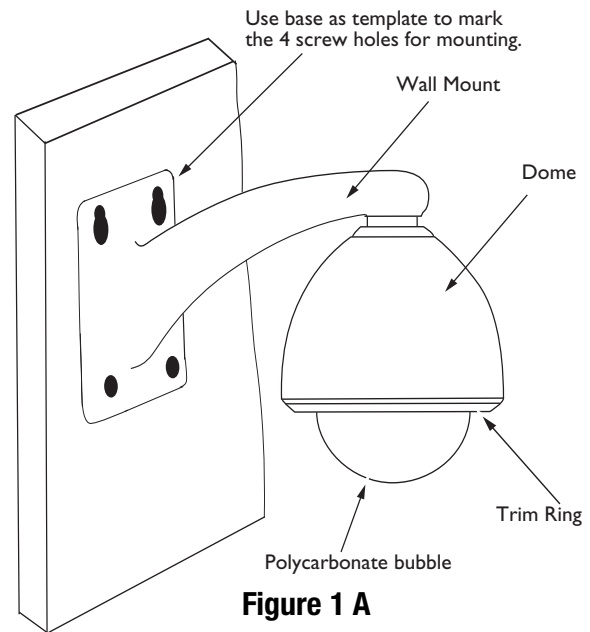
Caution: Before proceeding to disconnect the power at its source, be sure that the unit is of the proper voltage type for the line power.

Note: 24 VAC Applications: Camera operation is not affected by the polarity of the 24 VAC wires. However, in multiple camera systems, consistent wiring configurations will help maintain roll-free switching.

Connecting Video Cable

Route and connect video cable to BNC connector.

5. Attach the Wall mount to the wall using appropriate fasteners.



5.2 Removing Dome Cover

1. Loosen (2) M4 Screws, one on each side, to remove trim ring and bubble.



Trim ring and bubble are tethered by two wires to the dome. Carefully remove as to not pull out the tethers and disconnect the heating unit. Leave tethers attached.

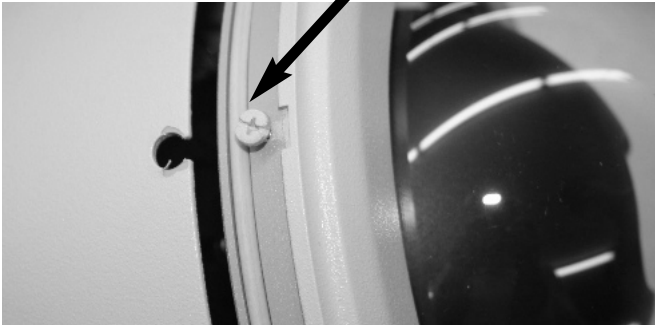


Figure 2

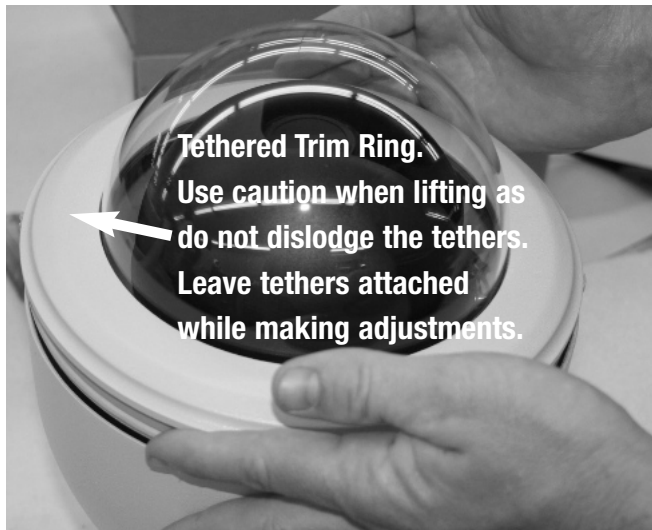


Figure 3

2. Remove liner by squeezing and lifting from slot on each side. Set aside to be replaced after camera adjustments are made.

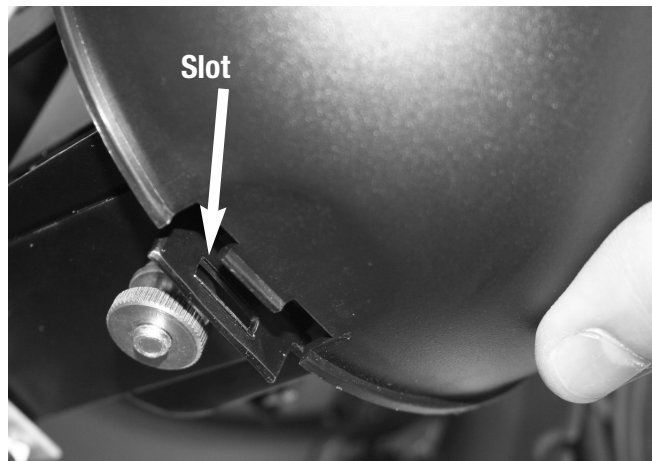


Figure 4

5.3 Camera Adjustments Day/Night Camera IND6DN Series

1. Set the camera to the desired position by adjusting the pivot points. This camera module can be adjusted both vertically and horizontally. The camera module can also be rotated for proper tilt orientation

Refer to **Figures 5 and 6.**

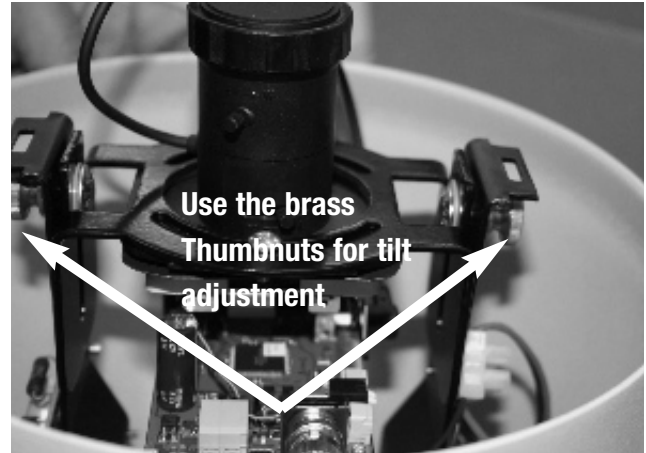


Figure 5

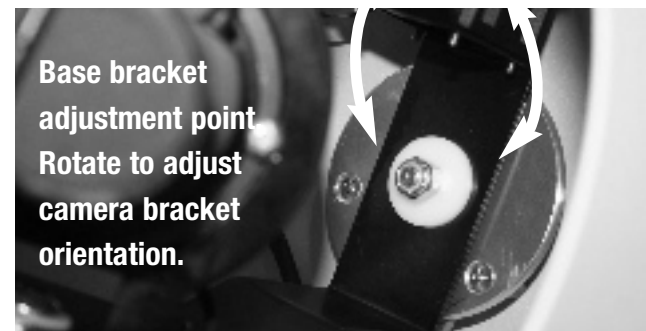


Figure 6

2. Lens adjustment points. (See enclosed Mfg. Specifications)

Refer to **Figure 7.**

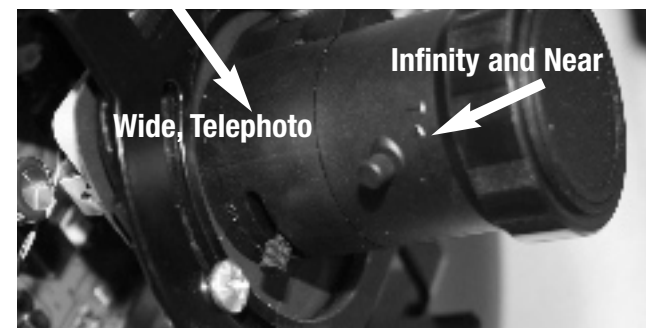


Figure 7

3. Camera adjustments. For available adjustments see enclosed instruction book.

Refer to **Figure 8** for locations of adjustment locations.

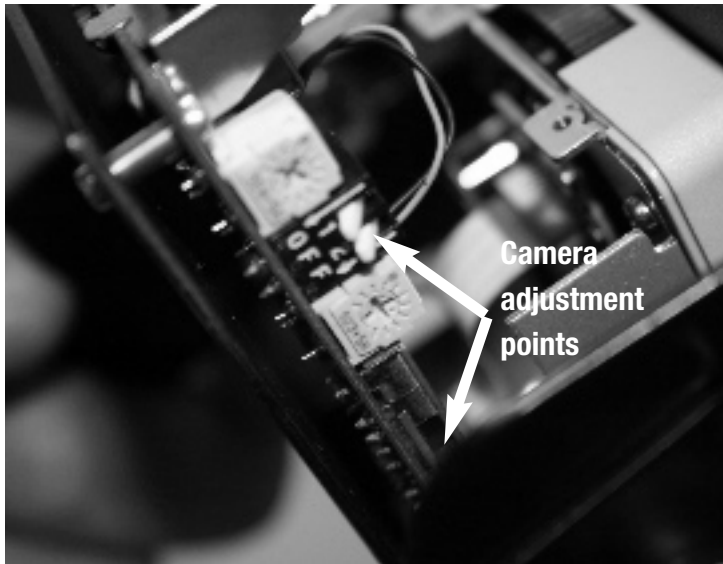
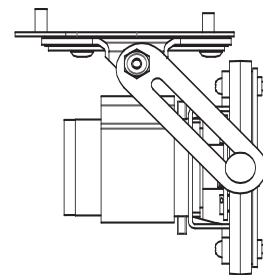
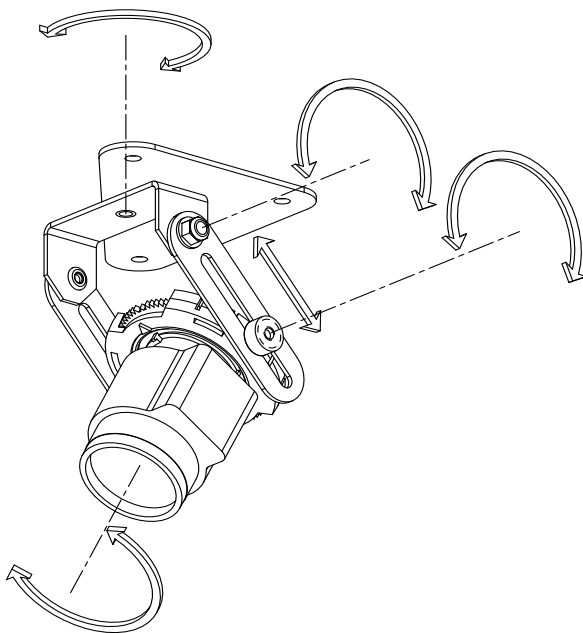


Figure 8

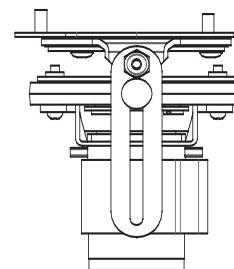
4. After testing the adjustments to the lens and camera replace the liner and trim ring bubble.

5.4 Camera Adjustments IND6CH Series

1. The camera can manually pan, tilt, or rotate 360 degrees. See **Figure 9** for a diagram of these adjustments.



Camera Shown at a 90° Tilt



Camera Shown at a 0° Tilt

Figure 9 Camera Position Adjustments

6 CAMERA AND LENS SETTINGS IND6CH SERIES

6.1 Line Lock / Phase / Backlight Compensation Settings

As received, the unit will be set such that the line lock is on, the backlight compensation is off, and the white balance is on.

See Detail A for Camera Module Adjustments and Connections

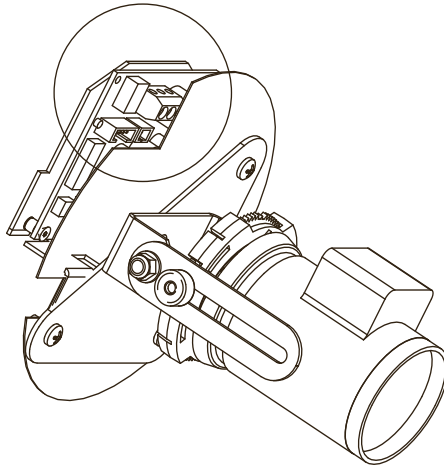
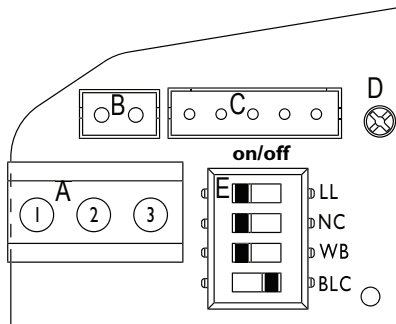


Figure 10 Camera Assembly



Detail A: Adjustments and Connections

CAMERA MODULE ADJUSTMENTS AND CONNECTIONS

A - Power Block

1. Supply
2. Secondary GND (Do not connect)
3. Supply

(Supply accepts 24 Vac or 12 Vdc, polarity independent, galvanically isolated from video GND)

B - Video Cable Output Connection

C - DC Iris Cable Connection

D - Vphase Adjustment

Adjust control until desired setting is achieved.

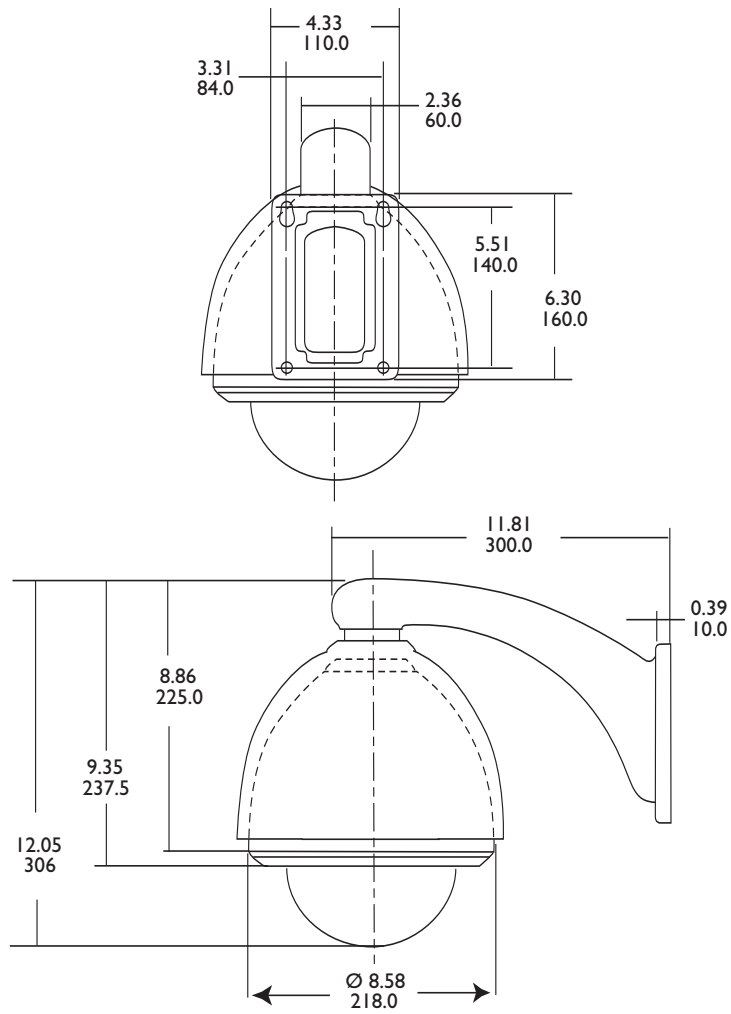
E - Default Dipswitch Settings

- On - LL (Line Lock)
NC (Not Connected)
- On - WB (White Balance)
- Off - BLC (Back Light Compensation)

TECH TIP

At longer focal length settings, mainly close to 50 mm, the dome can effect the focus. To adjust for this, simply move the focus ring of the lens slightly out-of-focus toward the **N** side. Temporarily place dome on the unit and observe the focus of the picture. Repeat this process until camera is focused properly.

Dimensional Outlines



©2006 Aigis Mechtronics
1124 Louise Road, Winston-Salem, NC 27107-5450
Tel: 336.785.7740 Fax: 336.785.7744

Data subject to change without notice.

100 0178 001 AIG 09/06
Printed in U.S.A.