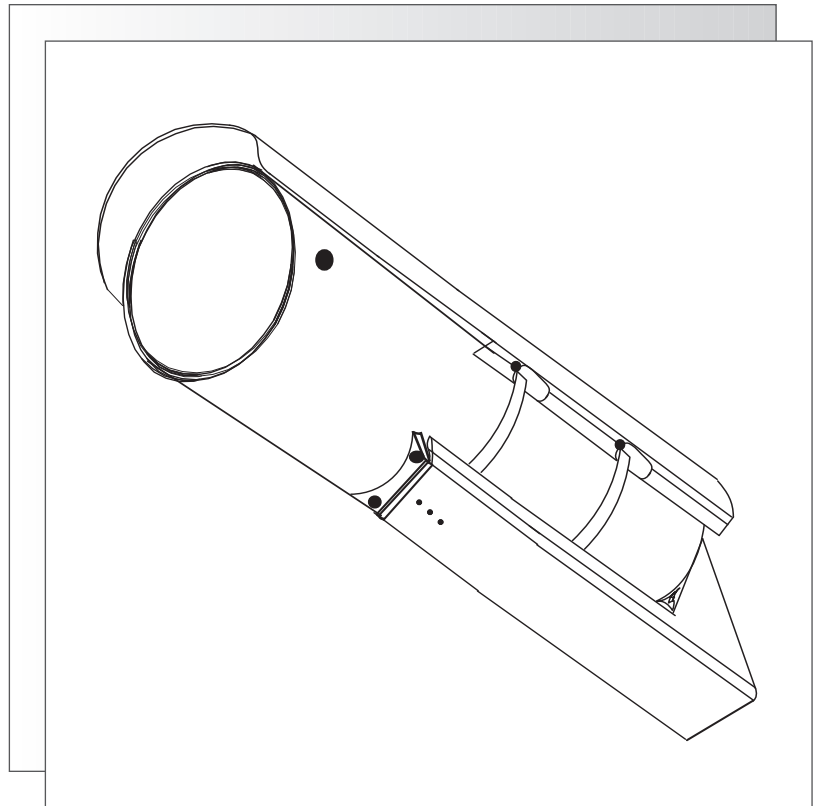


## SUNSHIELDS



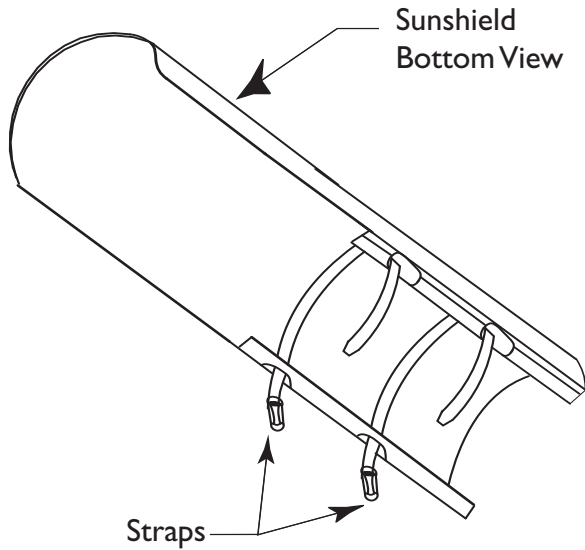
**HS9386SS**

# 1 DESCRIPTION

The **HS9386SS** sunshield provides protection from the direct rays of the sun and promotes cooling to reduce internal housing temperatures.

**Item number HS9386SS:**

For use with HS9386 Series Housings.



**Figure 1 Assembling the Sunshield**

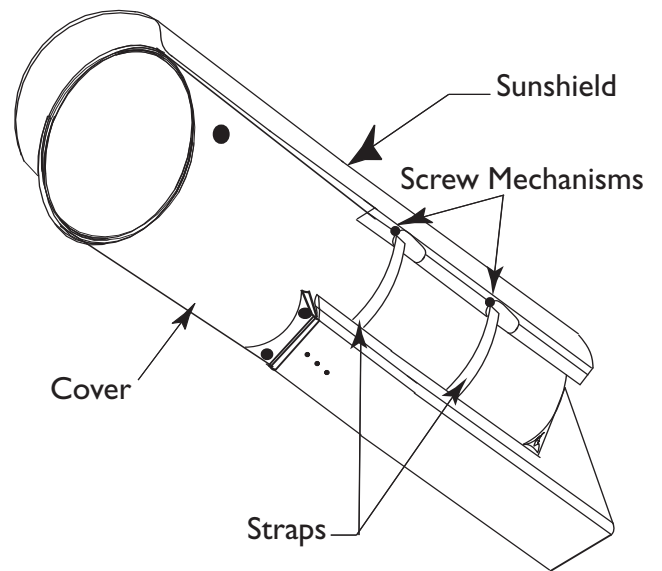
# 2 INSTALLATION

Item	Quantity
------	----------

Sunshield	1
Straps	2

**Tools:** Straight blade Screwdriver

1. Insert both straps through the holes in the sunshield. See **Figure 1**.
2. Position the sunshield on the housing. Nominal overhang is 25mm (1 in.) but the sunshield can be positioned as needed.
3. Wrap the straps around the housing. Both straps must be used.
4. Thread the strap ends into the backside of the screw mechanism on the other side of the strap. Turn the mechanism on the screw clockwise several turns to get the strap started.
5. Rotate the straps through the holes in the sunshield. Rotate until the screw head is accessible from the opposite side holes. This will hide the screw mechanism from plain view. See **Figure 2**.
6. Make final adjustments to the position of the sunshield.
7. Turn the screw mechanism clockwise to tighten the straps. Be sure straps are securely tightened.



**Figure 2 Securing the Sunshield**

